

Cod. 004121202
Valve Regulated Lead Acid Battery

Revision 1.0

Specifications

Nominal Voltage (V) 12V

Nominal Capacity

20 hour rate	(5.75A to 10.50V)	115Ah
5 hour rate	(18.5A to 10.50V)	92.5Ah
1 hour rate	(69.4A to 9.60V)	69.4Ah

Weight Approx. **31.6kg (69.6 Lbs.)**

Internal Resistance (at 1KHz) Approx. **5 mΩ**

Maximum Discharge Current for

5 seconds **1200A**

Charging Methods at 25°C (77°F)

Cycle use:

Charging Voltage **14.4 to 15.0V**

Coefficient -5.0mv/°C/cell

Maximum Charging Current: **33A**

Standby use:

Float Charging Voltage **13.50 to 13.80V**

Coefficient -3.0mv/°C/cell

Operating Temperature Range

Charge **-15°C (5°F) to 40 °C (104°F)**

Discharge **-15°C (5°F) to 50 °C (122°F)**

Storage **-15°C (5°F) to 40 °C (104°F)**

Charge Retention (shelf life) at 20°C (68°F)

1 month **98%**

3 month **94%**

6 month **85%**

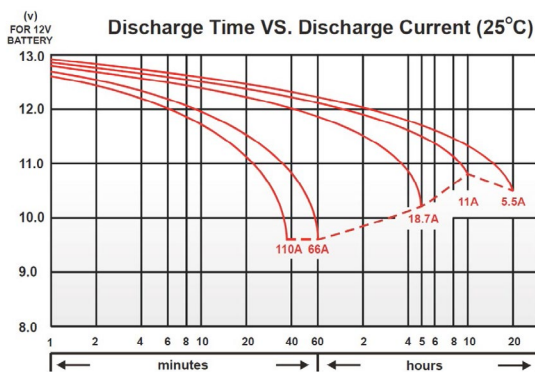
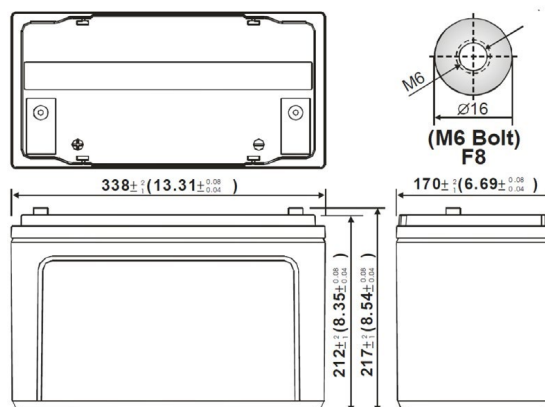
Case Material **ABS UL94HB**

(Option: ABS UL94 V-0 flame retardant)

Terminal **F8**

ENERGY *Cyclic*
SAFE

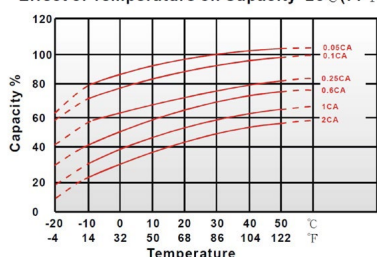
Dimensions mm (inch)



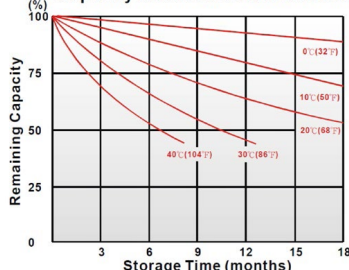
Cod. 004121202
Valve Regulated Lead Acid Battery

Revision 1.0

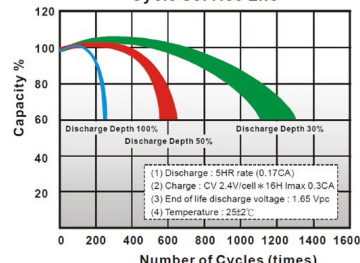
Effect of Temperature on Capacity 25°C (77°F)



Capacity Retention Characteristic



Cycle Service Life



Discharge Rates in Watts to Various End Voltages at 25°C (77°F)

Time		End Voltage						
		1.85V	1.80V	1.75V	1.70V	1.67V	1.65V	1.60V
10	min	393	429	469	498	499	512	515
15	min	336	364	380	400	404	416	419
30	min	208	220	229	238	241	246	248
60	min	142	142	142	143	145	146	147
90	min	92.6	97.4	101	104	105	107	108
120	min	75.8	79.7	82.5	84.2	85.2	86.5	87.3
180	min	56.7	59.7	61.3	62.2	62.8	63.7	64.4
240	min	40.0	42.2	46.7	47.5	48.4	49.3	49.8
300	min	36.5	38.9	40.0	40.8	41.3	42.0	42.3
600	min	19.1	21.1	21.6	22.2	22.6	22.7	22.8
1200	min	11.1	11.4	11.7	11.9	12.1	12.1	12.2

Discharge Rates in Amperes to Various End Voltages at 25°C (77°F)

Time		End Voltage						
		1.85V	1.80V	1.75V	1.70V	1.67V	1.65V	1.60V
10	min	220	232	245	254	260	270	285
15	min	177	194	214	220	224	232	241
30	min	118	123	126	128	130	131	133
60	min	57.0	60.2	64.0	67.3	69.4	70.2	72.0
90	min	40.0	43.2	45.4	46.3	47.2	48.6	49.8
120	min	27.6	32.1	35.6	39.1	39.9	40.9	42.2
180	min	23.7	26.3	31.0	32.8	33.3	34.0	35.0
240	min	20.2	21.5	22.8	23.2	23.5	24.0	24.5
300	min	16.9	17.4	18.5	19.2	19.7	19.9	20.2
600	min	10.3	11.0	11.0	11.1	11.2	11.2	11.2
1200	min	5.45	5.62	5.75	5.80	5.90	5.90	6.00

All data on the spec. sheet is an average value:

The tolerance range : X<6min(+15%~-15%), 6min≤X<10min(+12%~-12%), 10min ≤X < 60min(+8%~-8%), X≥60min(+5%~-5%)