

**Cod. 0041280**

**VRLA BATTERY AGM TECHNOLOGY**

Revision 1.0

**Specifications**

**Nominal Voltage (V)** 12V

**Nominal Capacity**

20 hour rate	(3.98A to 10.50V)	<b>80Ah</b>
10 hour rate	(7.69A to 10.50V)	<b>76.9Ah</b>
5 hour rate	(13.4A to 10.50V)	<b>67Ah</b>
1 C	(79.4A to 10.50V)	<b>39.7Ah</b>

**Weight** Approx. 24.2kg (53.24 Lbs.)

**Internal Resistance (at 1KHz)** Approx. 5 mΩ

**Maximum Discharge Current for 5 seconds:** 900A

**Charging Methods at 25°C (77°F)**

**Cycle use:**

Charging Voltage 14.4 to 15.0V

Coefficient -5.0mv/°C/cell

Maximum Charging Current: 22.5A

**Standby use:**

Float Charging Voltage 13.50 to 13.80V

Coefficient -3.0mv/°C/cell

**Operating Temperature Range**

Charge -15°C (5°F) to 40 °C (104°F)

Discharge -15°C (5°F) to 50 °C (122°F)

Storage -15°C (5°F) to 40 °C (104°F)

**Charge Retention (shelf life) at 20°C (68°F)**

1 month 92%

3 month 90%

6 month 80%

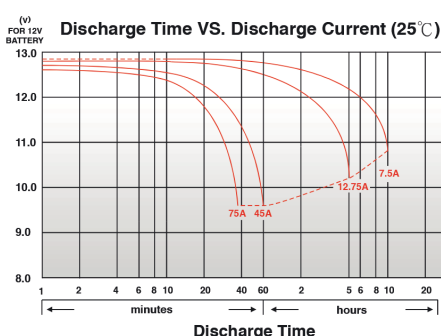
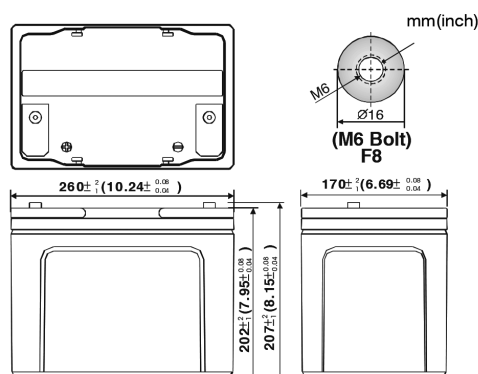
**Case Material ABS UL94HB**

(Option: ABS UL94 V-0 flame retardant)

**Terminal** FM6

**ENERGY SAFE**

**Dimensions mm (inch)**

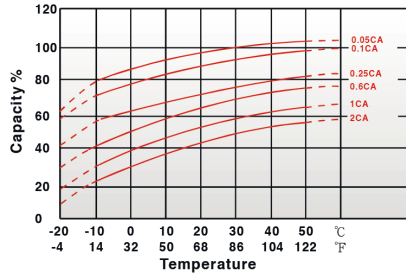


**Cod. 0041280**

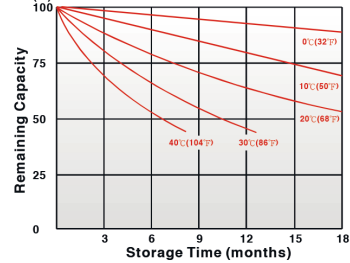
**VRLA BATTERY AGM TECHNOLOGY**

Revision 1.0

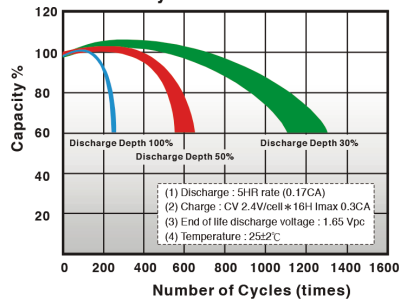
Effect of Temperature on Capacity 25°C (77°F)



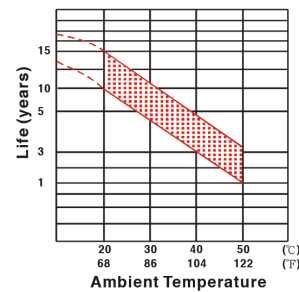
Capacity Retention Characteristic



Cycle Service Life



Trickle (or float) Service Life



PERFORMANCE DATA

Discharge Rates in Watts to Various End Voltages at 25°C (77°F)

Time	End Voltage	1.85V	1.80V	1.75V	1.70V	1.67V	1.65V	1.60V
5	m in	407	429	491	521	537	552	567
10	m in	278	294	336	357	368	378	388
15	min	178	225	240	274	280	287	294
30	min	139	149	155	159	160	162	165
60	min	80.8	85.3	87.8	89.8	90.5	91.3	92.3
120	min	47.2	49.8	51.3	52.7	53.2	53.7	54.3
180	min	34.0	35.8	36.8	37.7	38.0	38.3	38.8
240	min	27.8	28.8	29.7	30.3	30.5	30.8	31.2
300	min	24.8	25.3	25.7	26.0	26.2	26.3	26.5
600	min	15.0	15.2	15.3	15.5	15.5	15.6	15.6
1200	min	7.85	7.97	8.07	8.15	8.20	8.23	8.28

Discharge Rates in Amperes to Various End Voltages at 25°C (77°F)

Time	End Voltage	1.85V	1.80V	1.75V	1.70V	1.67V	1.65V	1.60V
5	min	178	214	245	272	281	292	304
10	min	112	143	167	186	192	199	207
15	min	90.5	109	124	138	141	145	150
30	min	63.2	72.6	79.4	84.5	85.6	87.2	89.0
60	min	38.6	41.5	43.3	44.8	45.3	45.9	46.7
120	min	20.2	22.4	23.9	25.0	25.4	25.8	26.3
180	min	15.8	17.4	18.4	19.3	19.6	20.0	20.4
240	min	12.9	13.9	14.7	15.3	15.6	15.9	16.2
300	min	11.8	12.6	13.1	13.4	13.6	13.8	14.1
600	min	7.53	7.62	7.69	7.74	7.76	7.81	7.85
1200	min	3.87	3.93	3.98	4.02	4.03	4.05	4.08

All data on the spec. sheet is an average value:

The tolerance range :  $X < 6min (+15\% \sim -15\%)$ ,  $6min \leq X < 10min (+12\% \sim -12\%)$ ,  $10min \leq X < 60min (+8\% \sim -8\%)$ ,  $X \geq 60min (+5\% \sim -5\%)$